

# Lite-Touch™ Q

## Outdoors



Bringing the cooking outside...

Lite-Touch™ Q by Kenyon

blends design and function

into a style that enhances

your outdoor kitchen.

Waterproof design allows use

in any weather condition.

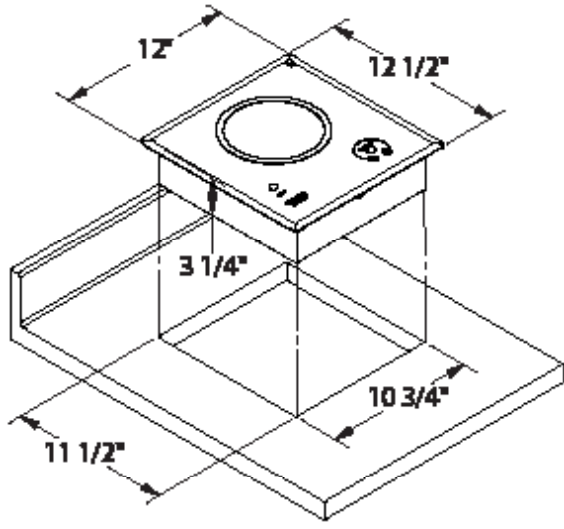


**KENYON**  
*Custom*®



Kenyon International, Inc. building quality specialty cooking appliances since 1931.

# Lite-Touch™ Q



## Lite-Touch™ Q Outdoors

**Model B41573**  
 120V AC 50/60 Hz - 10 amp.  
 1 - 6 1/2" (165mm) @ 1200 watts  
 GFCI three prong power cord

Overall Dimensions: 12 1/2" x 12" x 3 1/4"  
 317.5mm x 304.8mm x 82.6mm  
 Cutout Dimensions: 11 1/2" x 10 3/4" with 1/4" radius  
 292.1mm x 273mm with 12.7mm radius



Safety is always the first criteria in any new design. For this reason the Lite-Touch™ Q Outdoors model comes with a ground fault circuit interrupt (GFCI) power cord and a three prong 120V plug.

Simply elegant in design...

**Safety is always the first criteria with Kenyon.**

The new touch control system from Kenyon integrates the visual effect of knob control with the ease of touch control.

Simply touch the ON/OFF circle and then raise or lower the heat setting by pressing the + or - graphic on the ceramic glass and start cooking.

Elegant in design, the graphics pattern will enhance any outdoor kitchen design.

The ceramic glass slopes down to the counter with a mirror finish polished edge, framing the cooktop as it blends seamlessly into the counter.

And as all Kenyon Custom® products, backed by uncompromising quality, exclusive 3-year product replacement warranty, and the best customer service in the industry.



Kenyon International, Inc.  
 P.O. Box 925, Clinton, CT 06413  
 Tel: 860.664.4906  
 Fax: 860.664.4907  
[www.KenyonAppliances.com](http://www.KenyonAppliances.com)



KENYON Custom Logo, Lite-Touch, All Seasons, SILKEN, KENYON PUPS and all related materials are trademarks of Kenyon International, Inc. ©2011 Kenyon International, Inc. All Rights Reserved. Specifications subject to change without notice. UL is a registered trademark of Underwriters Laboratory Inc. Printed in U.S.A. 5-2011