



**KENYON®**  
*Custom*

# Healthy Grilling Tips

## The Facts:

- Flare-ups while grilling can be dangerous.
- Excessively high heat is not good for grilling meat.
- Grilling over open flame deposits chemicals onto your food.
- Grates with deposits from previous grilling can add harmful chemicals to your food.



## The Solution:

Use the award winning Kenyon Custom All Seasons Grill™  
Eliminate flare-ups completely.



The heat from the All Seasons Grill is more than enough (up to 550°F) to grill your steaks or hamburgers without damaging the food.



No open flame to deposit unwanted material on your food.

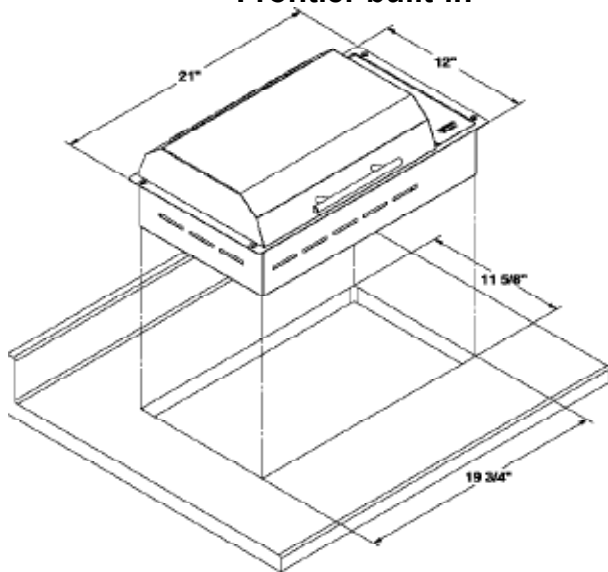


Cooking grate is double coated with the highest quality non-stick material and is dishwasher safe for easy clean-up.

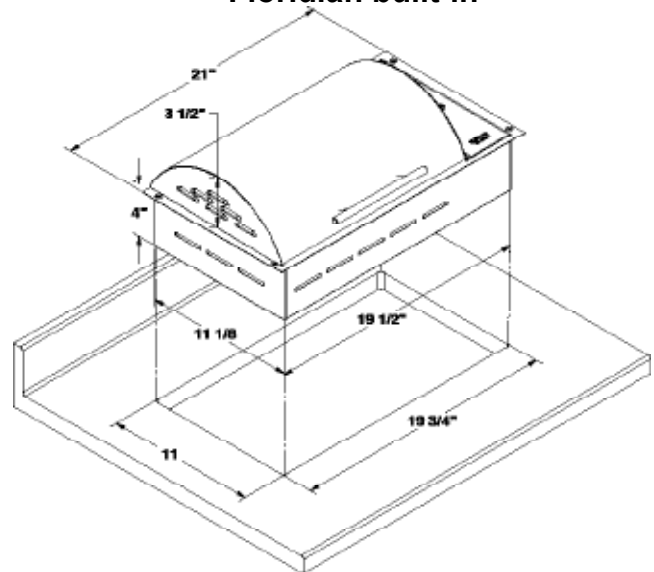


**Kenyon International, Inc. • Clinton, CT**  
[www.kenyonappliances.com](http://www.kenyonappliances.com)

### Frontier built-in



### Floridian built-in



The Kenyon Custom All Seasons Grill™ is constructed of 304 stainless steel and



backed by the Kenyon three year warranty.

UL listed for outdoor use - 120V - 11 amp., 1300 watts, equipped with GFCI power cord.

Disposable grease tray for easy clean up.

Water proof touch control for easy control of grilling temperature.

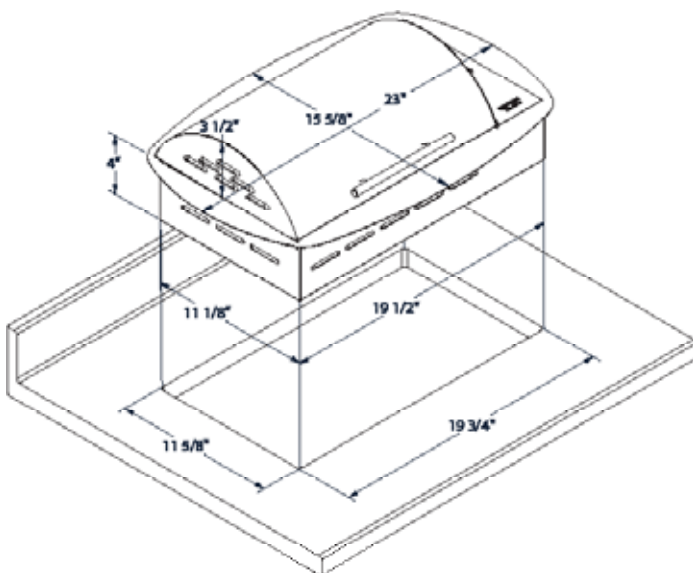
Accessories:

Griddle for bacon & eggs

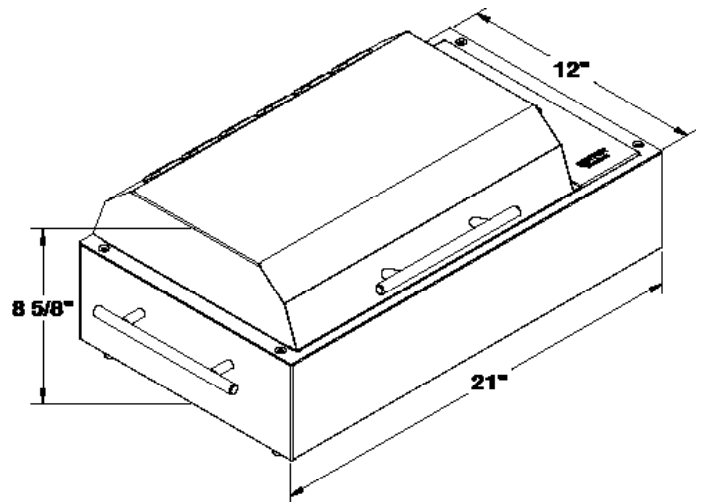
Cover for portable grills

Stainless steel utensils with high temp nylon to protect grate.

### Rio built-in



### Frontier Portable also available as Floridian Portable



**Kenyon International, Inc.**

P.O. Box 925 - Clinton, CT 06413

Tel: 860-664-4906

[www.kenyonappliances.com](http://www.kenyonappliances.com)