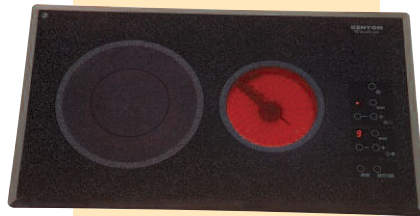


Lite-Touch™



Bold design and innovative Lite-Touch™ control signals the dawning of Aurora and heralds the arrival of Sunrise. A feast for the senses, Aurora, Sunrise and Horizon raise the culinary experience to new heights.



KENYON®
Custom

Lite-Touch™

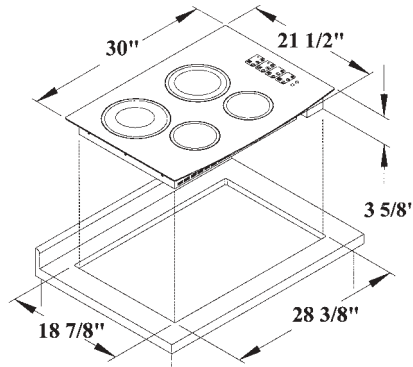
Subtly textured surface, round edged ceramic glass

Sunrise Four Burner Unit

Model B42001

240 volt – 27 amp.
 1 – 9" / 5" (232mm / 120mm)
 dual @ 2200 / 750 watts
 1 – 8 1/2" / 4 1/2" (215mm / 114mm)
 dual @ 1900 / 800 watts
 2 – 6 1/2" (165mm) @ 1200 watts each

Overall Dimensions: 30" x 21 1/2" x 3 5/8"
 762mm x 546.1mm x 92.1mm
 Cutout Dimensions: 28 3/8" x 18 7/8"
 720.7mm x 479.4mm



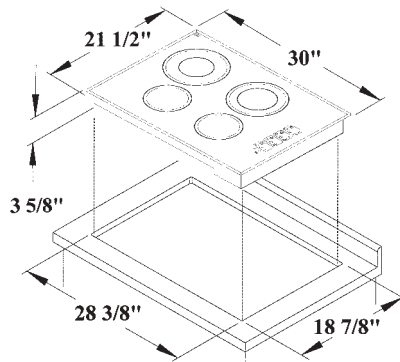
Subtly textured surface, beveled edged ceramic glass

Aurora Four Burner Unit

Model B42101

240 volt – 27 amp.
 1 – 9" / 5" (232mm / 120mm)
 dual @ 2200 / 750 watts
 1 – 8 1/2" / 4 1/2" (215mm / 114mm)
 dual @ 1900 / 800 watts
 2 – 6 1/2" (165mm) @ 1200 watts each

Overall Dimensions: 30" x 21 1/2" x 3 5/8"
 762mm x 546.1mm x 92.1mm
 Cutout Dimensions: 28 3/8" x 18 7/8"
 720.7mm x 479.4mm



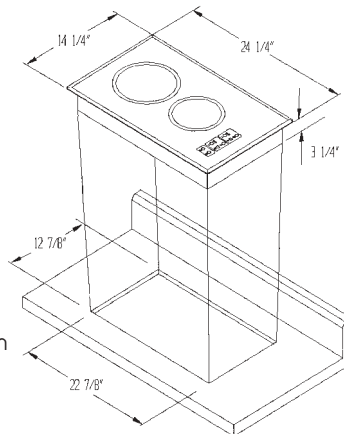
Subtly textured surface, beveled edged ceramic glass

Horizon Two Burner Unit

Model B42501

240 volt – 15 amp.
 1 – 9" / 5" (232mm / 120mm)
 dual @ 2200 / 750 watts
 1 – 6 1/2" (165mm) @ 1200 watts

Overall Dimensions: 24 1/4" x 14 1/4" x 3 1/4"
 616mm x 362mm x 82.6mm
 Cutout Dimensions: 22 7/8" x 12 1/8"
 581mm x 327mm



**Usher in a new dawn
 in kitchen design...
 with Kenyon Aurora, Horizon
 and Sunrise Lite-Touch™
 ceramic cooktops...**

Awaken to the latest in state-of-the-art cook top technology. Innovative infrared Lite-Touch™ control, clear digital displays, and elegantly bold yet universally appealing design. Simply elegant surface clean-up and safety features not available in traditional models include a lock-out feature to prevent accidental activation, auto shut-off, heat indicator and fault indicator with audible alert, heat limiting cooking surface protectors, and *Hot* indicator light. And as all Kenyon Custom products, backed by uncompromising quality and an exclusive 3-year replacement warranty.



Sunrise and Horizon are winners of the esteemed Design Journal Platinum Award for Design Excellence.

KENYON®
Custom

Kenyon International
 P.O. Box 925, Clinton, CT 06413
 Tel: 860.664.4906
 Fax: 860.664.4907
kenyonappliances.com



KENYON Custom logo, Lite-Touch, KISS, Electric KISS, Express and all related materials are trademarks of Kenyon International, Inc. ©2006 Kenyon International, Inc. All Rights Reserved. Specifications subject to change without notice. UL is a registered trademark of Underwriters Laboratory Inc. Printed in U.S.A. 4-2006