

# a l p i n e



The majestic Alpine Series of true white ceramic glass cook tops — with its opaque silhouette gives a beautiful and distinctive look to any kitchen.



**KENYON**<sup>®</sup>  
*Custom*

# alpine

Smooth surface, round edged  
ceramic glass

## Two Burner Units

### Model B49510

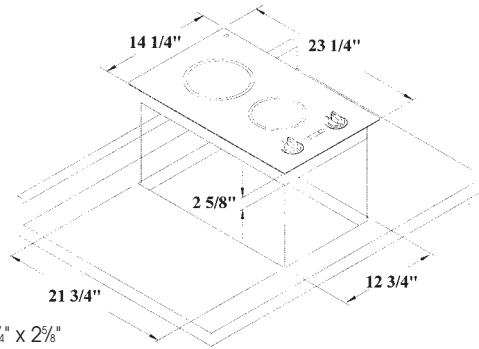
120 volt – 22 amp.  
1 – 6½" (165mm) @1200 watts  
1 – 8" (200mm) @1400 watts

### Model B49511

240 volt – 12.5 amp.  
1 – 6½" (165mm) @1200 watts  
1 – 8" (200mm) @1800 watts

Overall Dimensions: 23¼" x 14¼" x 2⅝"  
590.6mm x 362mm x 66.7mm

Cutout Dimensions: 21¾" x 12¾" with ¼" radius  
552.5mm x 323.9mm with 6.4 radius



## Two Burner Trimline Units

### Model B49515

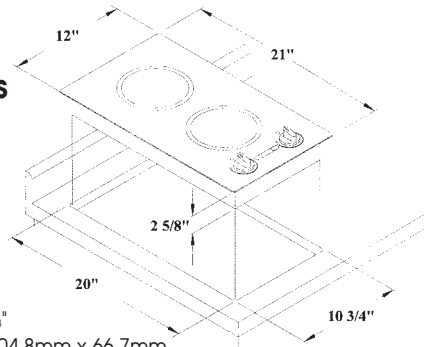
120 volt – 20 amp.  
2 – 6½" (165mm) @1200 watts each

### Model B49516

240 volt – 10amp.  
2 – 6½" (165mm) @1200 watts each

Overall Dimensions: 21" x 12" x 2⅝"  
533.4mm x 304.8mm x 66.7mm

Cutout Dimensions: 20" x 10¾" with ¼" radius  
508mm x 273mm with 6.4 radius



## Single Burner Units

### Model B49517

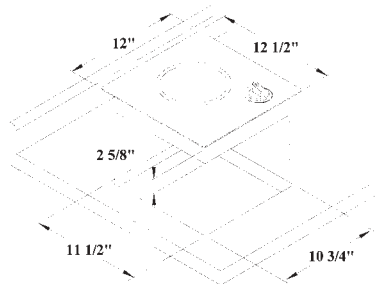
120 volt – 10 amp.  
6½" (165mm) @1200 watts

### Model B49518

240 volt – 5 amp.  
6½" (165mm) @1200 watts

Overall Dimensions: 12½" x 12" x 2⅝"  
317.5mm x 304.8mm x 66.7mm

Cutout Dimensions: 11½" x 10¾" with ¼" radius  
292.1mm x 273mm with 6.4 radius



**Raise your  
culinary experience  
to new heights with Kenyon  
Alpine series ceramic glass  
cook tops...**

The cool white ceramic of the Alpine series gives a stylish custom quality look to any kitchen. Opaque, durable, and easy to clean, with distinctive Alpine graphics and safety features uniquely Kenyon. Both one and two burner models available in 120 or 240 volts, with push-to-turn controls, infinite heat control and quick-to-heat radiant ribbon elements. Safety features include heat limiting cooking surface protectors, an *On* indicator light for each burner, and a *Hot* burner indicator light. And as all Kenyon Custom products, backed by uncompromising quality and an exclusive 3-year replacement warranty.



**Winner of the esteemed  
Design Journal Gold Award  
for Design Excellence.**

**KENYON**<sup>®</sup>  
*Custom*

Kenyon International  
P.O. Box 925, Clinton, CT 06413  
Tel: 860.664.4906  
Fax: 860.664.4907  
kenyonappliances.com



KENYON Custom logo, Lite-Touch, KISS, Electric KISS, Express and all related materials are trademarks of Kenyon International, Inc. ©2006 Kenyon International, Inc. All Rights Reserved. Specifications subject to change without notice. UL is a registered trademark of Underwriters Laboratory Inc. Printed in U.S.A. 4-2006